

OMNIMAX[®] Indoor Dipole 5G

5G Paddle Indoor Antenna



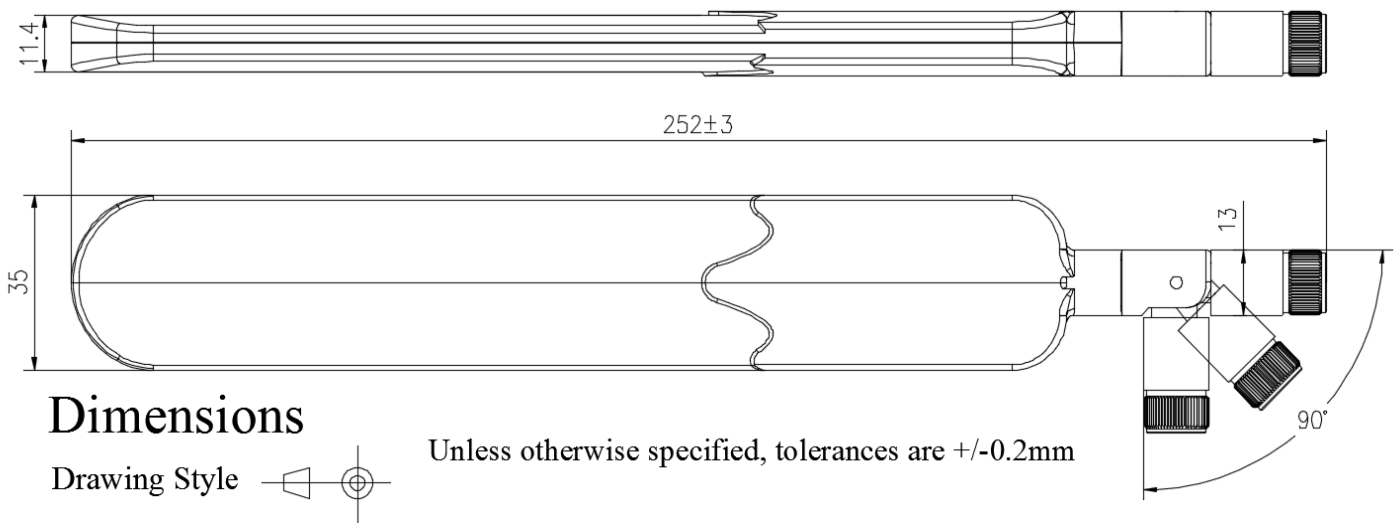
The AP-Dipole-Next-C-IW-S2-BL dipole antenna is an ultra-wideband 5G externally mounted antenna providing high efficiency for IoT and M2M applications for indoor cellular modules, modems, and gateways. This antenna outperforms competing products on the market and provides coverage for all cellular standards including CDMA, DCS, PCS, and GSM 2G, 3G, 4G, and 5G frequency bands in use globally.

- Wideband Cellular 5G (617 MHz-6 GHz) Element
- External Indoor Dipole Antenna
- Rotated 90 degree on the base hinge
- High efficiency

Configuration

AP-Dipole-Next-C-IW-S2-BL Cell/5G, Rotatable 90° on base hinge, Indoor Antenna, SMA connector, Black

Dimensions



Specifications and Interface	
Standard	2G, 3G, 4G/LTE, 5G (Band 71, LTE, CBRS, LAA)
Frequency Range	617 MHz - 6.0 GHz
Peak Gain	1.1 dBi @ 617 MHz; 0.7 dBi @ 850 MHz; 2.3 dBi @ 1450 MHz; 1.6 dBi @ 1750 MHz; 2.5 dBi @ 1950 MHz; 2.2 dBi @ 2250 MHz; 2.6 dBi @ 2450 MHz; 2.7 dBi @ 3700 MHz; 3.5 dBi @ 5500 MHz
Feed Impedance	50 ohms
Power Handling	30 dBm
Interface	SMA Male
Dimensions	252 mm(L) x 35 mm(W) x 13 mm(H)
Temperature Range	Operating -30°C to +75°C Storage -30°C to +75°C
Humidity Range	5 to 95%

Mounting Guidelines

The model AP-Dipole-Next-C-IW-S2-BL only supports 0-90degree rotation in the vertical direction, as shown in the figure below:

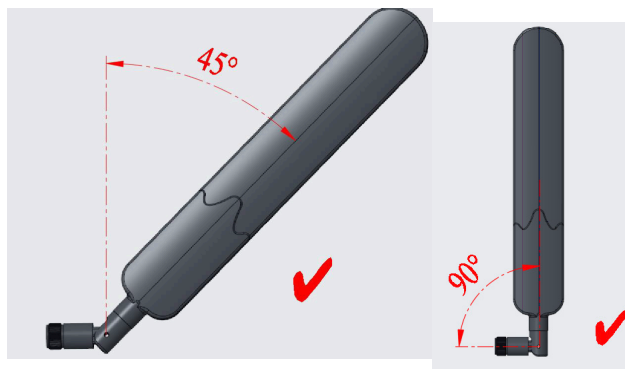


Figure 1: The installation mode that can be implemented

The Model AP-Dipole-Next-C-IW-S2-BL does not support horizontal rotation of 0-90 degrees, as shown below:

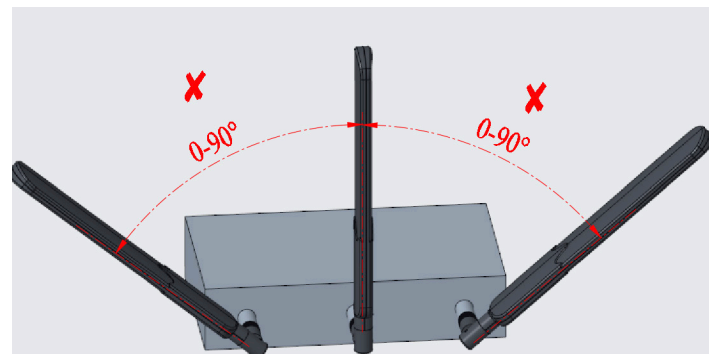


Figure 2: The installation mode cannot be implemented