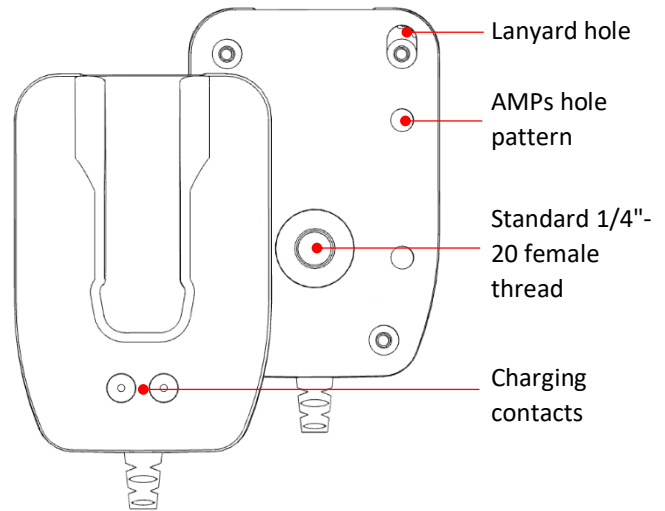


AINA Vehicle Charger

Designed for the AINA PTT Voice Responder

Design

- External dimensions: 55x80x30mm
- Weight: 90g
- Charging cable end: USB-A male
- Charging cable length: 936mm
- Charging current: Min. 700mA / Max allowed. 2.8A / Voltage: 5V
- Operating temperature: -30 - 60°C



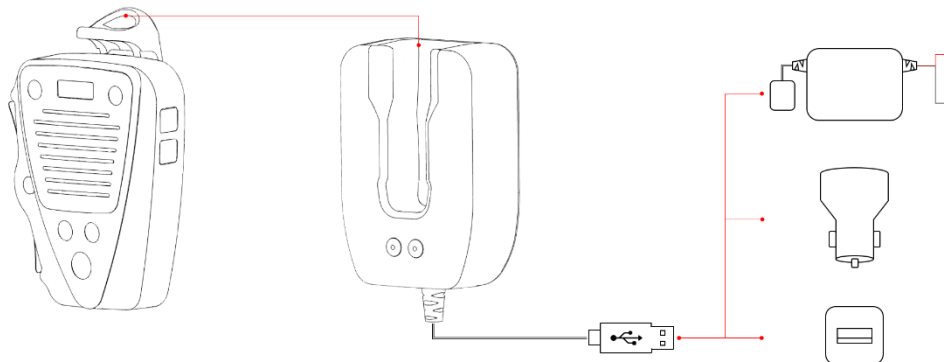
Compatible Mounts and Plates

- Any camera mount or plate with standard 1/4"-20 male stud: 6mm threads
- Any mount or plate with standard AMPs hole pattern: 30x38mm (M4 fastener)

Compatible with all major mount manufacturers, such as Arkon Mounts (www.arkon.com), RAM Mount (www.rammount.com) and GPS lockbox (www.gpslockbox.com)

Charging Instructions

1. Slide the PTT Voice Responder clip into the Vehicle Charger
2. Connect the charging cable's USB-A male end into: a vehicle power adapter, a car charger or a USB-A female socket



Lanyard (Optional)

- You can install a lanyard/cable to the charger's lanyard hole, which then connects to the device's clip loophole with a hook/carabiner. This offers additional security and easier removal and insertion of the PTT Voice Responder into the Vehicle Charger.
- Lanyard hole dimensions: max 3.5mm

